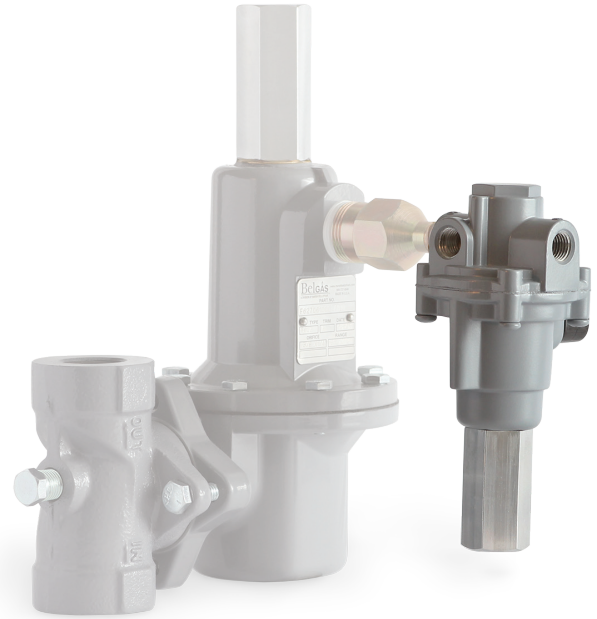


# PL81 Pilot Regulator

The PL81 is designed as a pilot for high flow regulators when accuracy and speed is desirable. The PL81 is used in conjunction with the range spring to achieve faster correction response, and a more accurate adjustment of the pressure setting. The PL81 is a constant bleed pilot regulator.

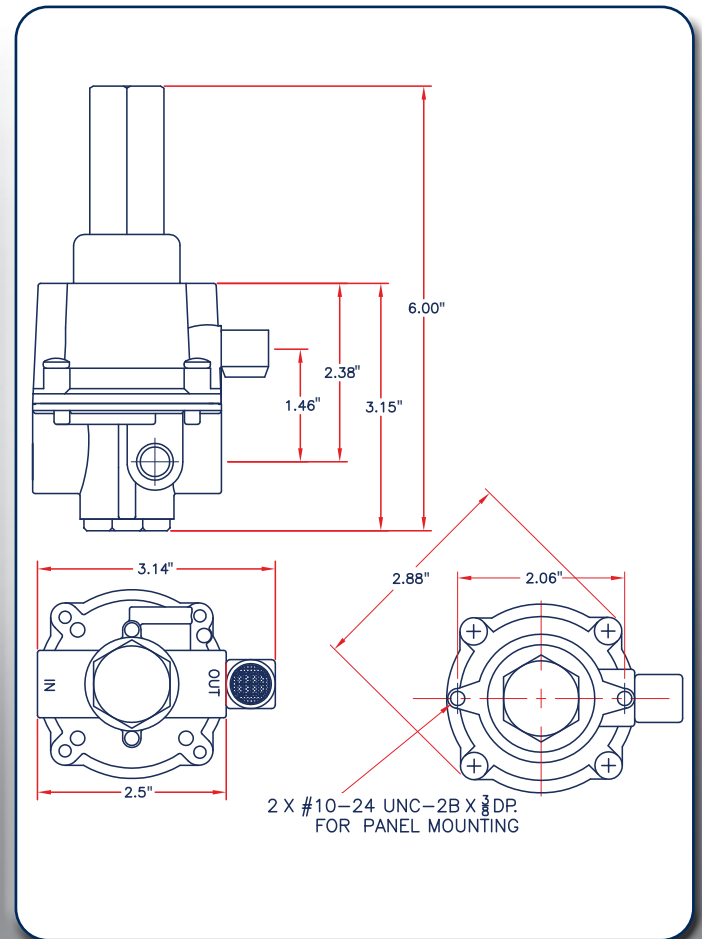
The gain options of low, medium and high allow for the lowest build ups and fastest response time - high gain being the fastest.



## PL81 Pilot Part Matrix (For F627 Regulator)

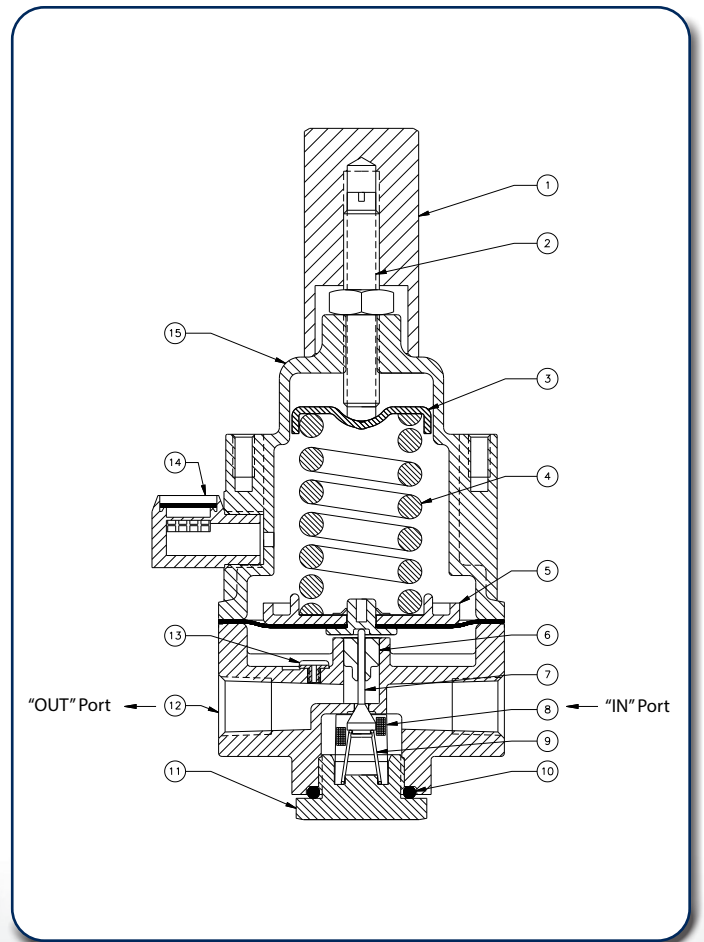
PL	002				0 00	Version
81						PSI Units
						Spring Range - PSIG / BAR
	035					0-35 / 0.0-2.4
	100					35-100 / 2.4-6.9
						Bleed Restrictions
		L				Low Gain
		S				Standard Gain
		H				High Gain
						Trim
			0			Nirile (NBR)
			2			Fluorocarbon (FKM)
				0		Body Material
						Aluminum

## PL81 Dimensions



## PL81 Parts

Item	Description
1	Tamperproof Nut
2	Adjustment Screw Assembly
3	Spring Guide
4	Range Spring
5	Diaphragm Assembly
6	Bushing
7	Pintle
8	Pintle Spring Screen
9	Pintle Spring
10	O-Ring
11	Bottom Plug
12	Body
13	Restrictor Screw
14	Exhaust Filter
15	Bonnet
16	Build Screws (Not Shown)



## PL81 Replacement Parts

Range Springs	
5-35 PSIG	655-679-000
35-100 PSIG	655-000-155
Diaphragm Assembly	
Nitrile	804-000-020
FKM	804-208-003
Pintile	
Nitrile	813-000-001
FKM	813-000-005
Restrictor Screw	
Standard Gain	648-543-000
Low Gain	648-543-001
High Gain	648-543-002