

F289 Pilot Regulator

The PL82 is designed for the P1808 and P289 Back Pressure/Relief regulators.

The PL82B is used in pressure relief applications and vents continuously when the main valve is re-positioned or in the relieving mode. The PL82B does not bleed/relieve with pressures below the set pressure.

The PL83 is a low pressure unit for the inches of water column spring ranges of the 2" F289 and is a high bleed restriction pilot.

The gain options of low, medium and high allow for the lowest build ups and fastest response speed - high gain being the fastest.



F289 Pilot Matrix

PL		02			0	
	↑	↑	↑	↑	↑	Version
	82					For PSIG Ranges
	83					For WC Ranges
						Configuration
		B				Relief Device
						Spring Range - WC or PSI / BAR
				002	For 2" P289	14"-2 / 0.03-0.13
				010		2-10 / 0.13-0.69
				018		10-18 / 0.7-1.3
				030	For 1" 289	18-30 / 1.3-2.1
				100		30-100 / 2.1-7.0
						Bleed Restrictions
				L		Low Gain
				S		Standard Gain
				H		High Gain
						Trim
				0		Nirile (NBR)
				2		Fluorocarbon (FKM)
						Body Material
				0		Aluminum

P1808 Pilot Regulator

The PL82 is designed for the P1808 and P289 Back Pressure/Relief regulators.

The PL82B is used in pressure relief applications and vents continuously when the main valve is re-positioned or in the relieving mode. The PL82B does not bleed/relieve with pressures below the set pressure.

The PL82 is a low bleed pilot for back pressure regulator applications and will only exhaust when the valve is being repositioned.

The gain options of low, medium and high allow for the lowest build ups and fastest response speed - high gain being the fastest.



P1808 Pilot Matrix

PL		02			0	
	↑	↑	↑	↑	↑	Version
	82					PSI Units
						Configuration
		0				Back Pressure Regulator
		B				Relief Device
						Spring Range - PSI / BAR
				018		3-18 / 0.21-1.3
				040		15-40 / 1.0-2.75
				125		35-125 / 2.4-8.6
						Bleed Restrictions
				0		No Bleed (Back Pressure Reg)
				L		Low Gain
				S		Standard Gain
				H		High Gain
						Trim
				0		Nirile (NBR)
				2		Fluorocarbon (FKM)
						Body Material
				0		Aluminum

F627 Pilot Regulator

The PL81 is designed as a pilot for High Flow regulators when accuracy and speed is desirable. The PL81 is used in conjunction with the range spring to achieve faster correction response and a more accurate adjustment of the pressure setting. The PL81 is a constant bleed pilot regulator.

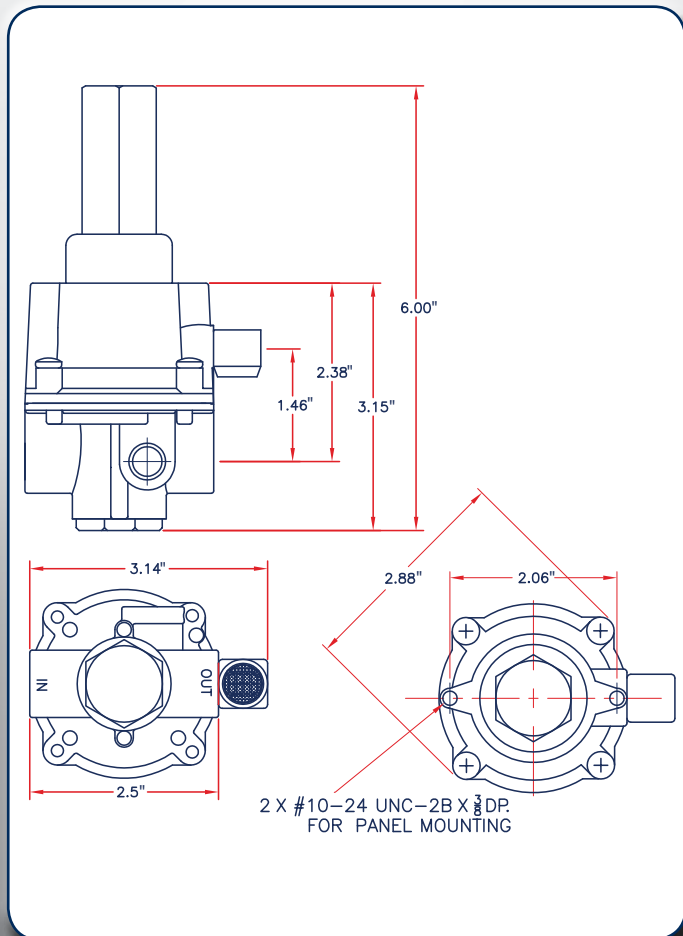
The gain options of low, medium and high allow for the lowest build ups and fastest response speed - high gain being the fastest.



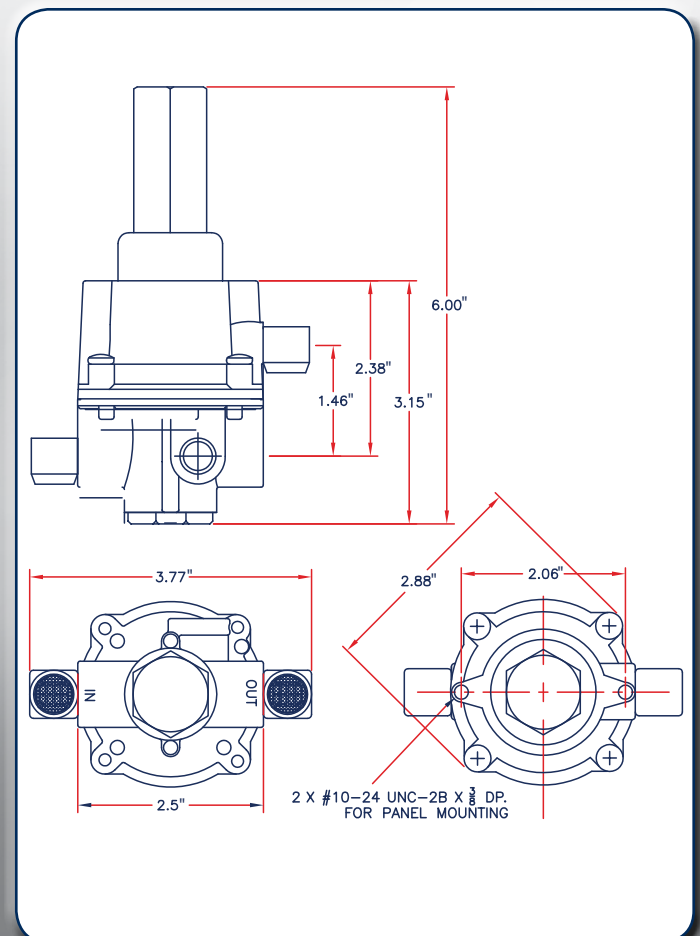
F627 Pilot Matrix

PL	002				0	Version
	81					PSI Units
						Spring Range - WC or PSI / BAR
					035	0-35 / 0.0-2.4
					100	35-100 / 2.4-6.9
						Bleed Restrictions
				L		Low Gain
				S		Standard Gain
				H		High Gain
						Trim
				0		Nirile (NBR)
				2		Fluorocarbon (FKM)
						Body Material
				0		Aluminum

PL81 Dimensions

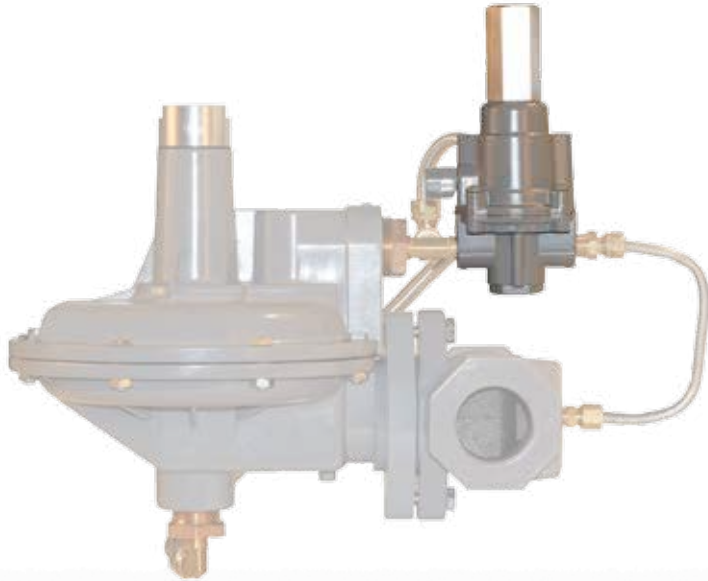


PL82 Dimensions



F300 Pilot Regulators

The PL84 is designed as a pilot for medium and small commercial sized regulators when improved accuracy is desirable. The PL84 is equipped with a convoluted diaphragm to increase sensitivity. The PL84 is a constant bleed regulator available in low, medium, and high gain to modify the response time and build up pressures.

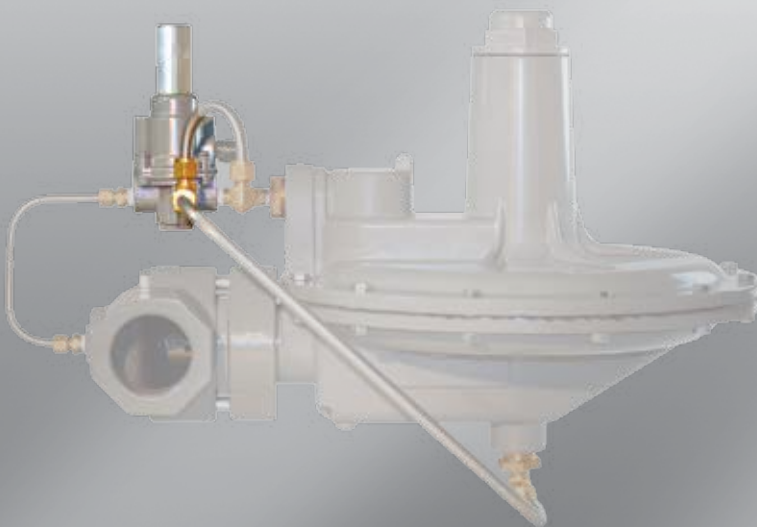


F300 Pilot Part Matrix

PL		002				0	
	↑		↑	↑	↑	↑	Version
	84						PSI & WC Units
							Spring Range - WC or PSI / BAR
			010				2-10 PSI / 0.13-0.69
			020				2 - 20 PSI / 0.13 -1.38
							Bleed Restrictions
				L			Low Gain
				S			Standard Gain
				H			High Gain
							Trim
					0		Nirile (NBR)
					2		Fluorocarbon (FKM)
							Body Material
						0	Aluminum

F200 Pilot Regulators

The PL84 is designed as a pilot for medium and small commercial sized regulators when improved accuracy is desirable. The PL84 is equipped with a convoluted diaphragm to increase sensitivity. The PL84 is a constant bleed regulator available in low, medium, and high gain to modify the response time and build up pressures.



F200 Pilot Part Matrix

PL		002				0	
	↑		↑	↑	↑	↑	Version
	84						PSI & WC Units
							Spring Range - WC or PSI / BAR
			014				4-14" WC / .009-0.03
			002				14"-2 PSI / 0.03-0.13
			010				2-10 PSI / 0.13-0.69
							Bleed Restrictions
				L			Low Gain
				S			Standard Gain
				H			High Gain
							Trim
					0		Nirile (NBR)
					2		Fluorocarbon (FKM)
							Body Material
						0	Aluminum

Pilot Regulator Filters

The PL Pilot Regulators can be adapted to many of the BelGAS pressure regulators. Although most main regulators are in some way modified to accept a pilot regulator operation, the BelGAS Pilot regulators can be used on other pressure regulators designed for the use of a pilot regulator.

In any application where a smaller flow rate due to a smaller orifice, medium filtration is the key to a smooth and trouble free operation of the pilot regulator. Filtration of the pilot supply is always recommended.

P350 Filter Assemblies

Stainless and Aluminum cartridge type filters can be mounted in line before the pilot inlet.

P3500200000			
↑	↑	↑	Drain Options
P			Drain Plug
V			Manual Drain Valve
			Filter Options
	25		25 Micron (Standard)
	01		1 Micron
	05		5 Micron
	50		50 Micron
			Body Material
		0	Stainless Steel
		1	Aluminium



P590 In-Line Filter Assembly

Brass and stainless steel inline filter designed for use with multiple pilot regulators and main regulators.

P590 Complete Filter / Brass	P594
P590 Complete Filter / Stainless	P595
P590 25 Micron Element	677-052-000

P590 Dimensions

