

P255 High Capacity Relief Valves

- Zero leakage to 98% of set pressure
- Set pressure tolerance $\pm 5\%$ of preset
- Reseal at 92% of set pressure
- Line sizes of 3/4" and 1" NPT

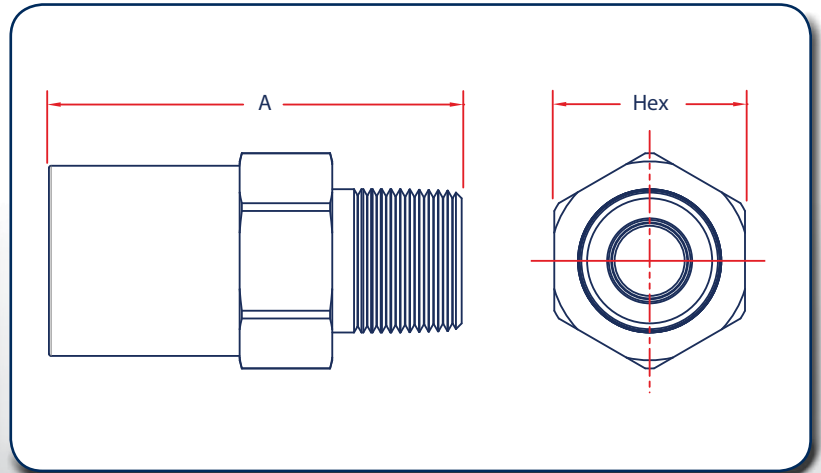


Materials of Construction

Component	Material
Body	CDA360 Brass
Spring	302 Stainless Steel
Retainer	CDA360 Brass
Seal	Nitrile

P255 Dimensions

Pipe Size	A	Hex
3/4" NPT	3.39"	1-3/4"
1" NPT	3.79"	1-3/4"



P255 Ordering Info

Part Number	NPT Size	Set Pressure
P25506BB1050	3/4 NPT	50 PSIG
P25508BB1050	1 NPT	
P25506BB1055	3/4 NPT	55 PSIG
P25508BB1055	1 NPT	
P25506BB1070	3/4 NPT	70 PSIG
P25508BB1070	1 NPT	
P25506BB1075	3/4 NPT	75 PSIG
P25508BB1075	1 NPT	
P25506BB1100	3/4 NPT	100 PSIG
P25508BB1100	1 NPT	
P25506BB1125	3/4 NPT	125 PSIG
P25508BB1125	1 NPT	
P25506BB1150	3/4 NPT	150 PSIG
P25508BB1150	1 NPT	

P255 Flow Data

Spring Range	45 - 90			100 - 150			100 - 150			100 - 150		
Vessel Pressure	65	75	85	65	75	85	65	75	85	65	75	85
Set Pressure	50			100			125			150		
Flow in SCFH Natural Gas, Converted for Air Flow Rate												
	24,000	36,700	46,100	23,100	36,600	47,100	32,200	50,700	72,100	47,000	61,600	72,500